



# Evolve1™ F

Single Fixed Monitor Arm



## Model Number

- EVOLVE1-F-SLV
- EVOLVE1-F-BLK
- EVOLVE1-F-WHT

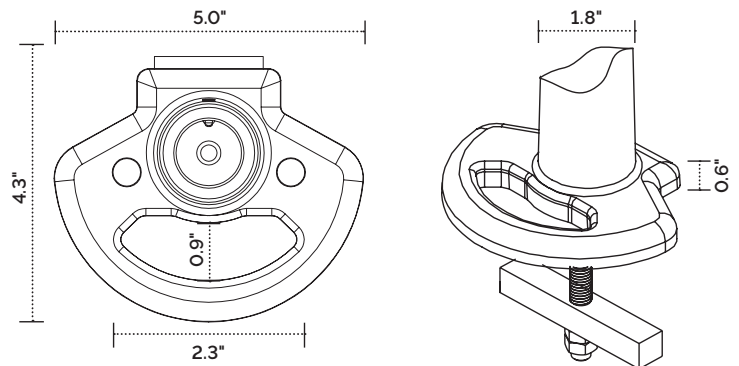
## Evolve Monitor Arm Key

- F - Fixed Monitor Arm
- M - Motion Monitor Arm
- S - Slider Mount

## Evolve For Every Need

- As workstation needs change, so can the Evolve configurations. Additional components sold separately.

Call our Customer Service Department for comparability on pricing for custom configurations.



## Product Specs

- Manual height adjustment
- Recommended for worksurfaces 30.0" deep or less
- 12.82" arm extension
- 2.55" arm retraction
- +90°/-25° monitor tilt
- ±90° VESA rotation
- Up to 20.0 lb. weight capacity
- 19.70" pole height (includes base)
- VESA 75mm/100mm quick release
- 180° lock-out feature
- Desk clamp and grommet mount included
- Meets or exceeds BIFMA x5.5 guidelines

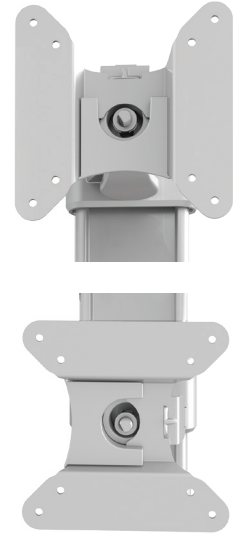
# Evolve1™F



VESA quick release



integrated allen key storage



landscape/portrait rotation



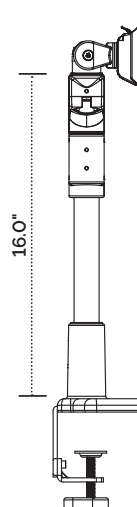
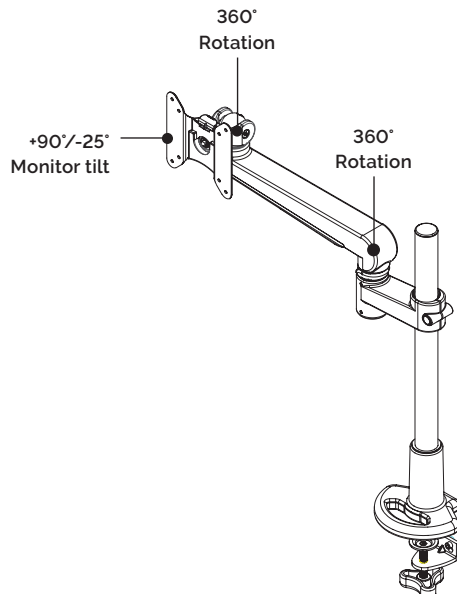
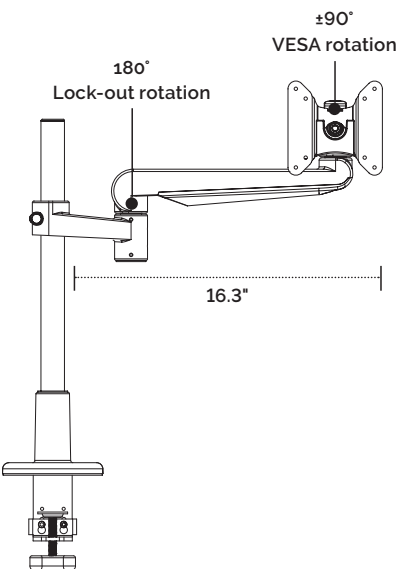
grommet mount



desk clamp



cable management



**Fellows**